

LEAKAGE DETECTOR LPH 10

LPH 10 continuously detects the resistance of the sensor that is attached on the floor of the monitored space, for example. The device can be used as an independent leakage detector or it can be connected to the monitoring system.

The sensor can be any sensor which resistance drops below the alarm level when wet and rises over the release level when dry. For example, the VVA and VVN sensors' dry resistance is approximately 300 kΩ.

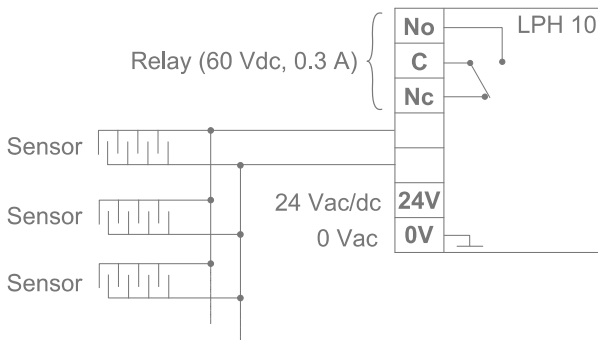
If needed, several sensors may be connected in parallel. However, you must ensure that the total sensor circuit dry resistance doesn't drop below release level.

Up to 5 VVN and VVA sensors can be connected in parallel, which leads the total sensor circuit dry state resistance approximately to 60 kΩ.

The indicator light has two modes, dim and bright. The dim light indicates that the device is functioning.

When the sensor gets wet and the sensor resistance drops below the alarm limit, the relay activates, buzzer sounds and indicator light is lit brightly. The relay releases and the indicator light dims when the sensor dries and the resistance rises over the reset limit. The buzzer can be turned off only by pressing the reset button.

Wiring



Technical data

Supply	24 Vac/dc (20...28 V)
Alarm limits	
alarm on	< approx. 10 kΩ
alarm off	> approx. 15...30 kΩ
Output	potential free contact 60 Vdc, 0.3 A

Ordering guide:

Model	Product number	Description
LPH 10	1187010	water leakage detector / alarm
VVA 1	1187020	sensor with housing
VVA 2	1187021	sensor, 2 m cable
VVA 3	1187026	sensor 25 mm x 200 mm with adhesive tape, 2 m cable
VVN 1	1187025	1 m cotton tape sensor, 2 m cable
VVN 2	1187023	2 m cotton tape sensor, 2 m cable

Products fulfil the requirements of directive 2004/108/EC and are in accordance with the standards EN61000-6-3: 2001 (Emission) and EN61000-6-2: 2001 (Immunity).